



**GROVE**<sup>®</sup>  
**MANLIFT**<sup>®</sup>

A GROVE WORLDWIDE COMPANY

# AMZ56/56XT AMZ66/66XT

Self-Propelled Aerial Work Platforms



**I**ncrease productivity and reduce set-up time with the Grove Manlift **AMZ56** and **AMZ66** Series aerial work platforms! Up-and-over reach, zero tailswing and standard four-wheel steering make positioning fast and easy. The result: you get more work done every day!

Check these features:

- Working heights of 56 ft. (17.1m) and 66 ft. (20.1m), respectively.
- Articulated boom design for up-and-over reach.
- Horizontal reach of 33 ft. (10.1m) and 43 ft. (13.1m), respectively, at 15 ft. (4.6m) up-and-over height.
- Unrestricted platform capacities up to 800 lbs. (363kg) on the **AMZ56** Series and up to 600 lbs. (272kg) on the **AMZ66** Series.
- Standard four-wheel crab and coordinated steer.

When jobsite conditions demand rough terrain travel, the **AMZ56XT** and **AMZ66XT** are the answer. Standard four-wheel drive plus extra power and traction get you through difficult terrain, such as sand and mud, and to the work site.

### **Standard Equipment**

#### **PLATFORM**

All-welded 36 x 60 in. (0.91 x 1.53m) tubular aluminum work platform assembly with inside handrails, sliding bar gate and 180° hydraulic platform rotator. 44 in. (1.12m) high railings with 6 in. (0.15m) toeboard.

110-volt AC wiring with plug and junction box on the turntable and two outlets on the platform, 15 amp resettable circuit breaker, and ground fault interrupter.

#### **CONTROLS**

Upper control panel features proportional joystick controllers with adjustable "ramp-to-zero" for drive, lift, telescope and swing. Non-proportional control switches for steering, platform level and platform rotation. Selection switches for boom/riser lift and function speed (low/torque/high). Control enable system\* with foot pedal and indicator light. Push buttons for auxiliary power, engine start, choke, emergency stop and driving horn.

Lower control panel features non-proportional control switches for lift, telescope, swing, platform level and platform rotate. Selection switches for

lower/upper controls, boom/riser lift and auxiliary power. Also included are a voltmeter, hourmeter, and ignition switch.

Lockable battery disconnect switch.

#### **BOOM/RISER**

All-steel 2-section Vierendeel embossed trapezoidal boom. Telescopic boom section supported by adjustable aluminum bronze wear pads.

Internal power guide routes hydraulic and electric lines to the platform.

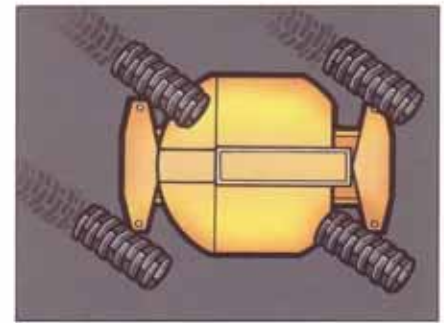
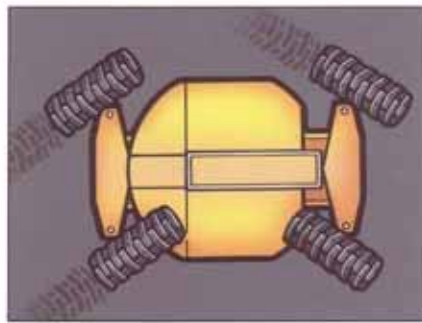
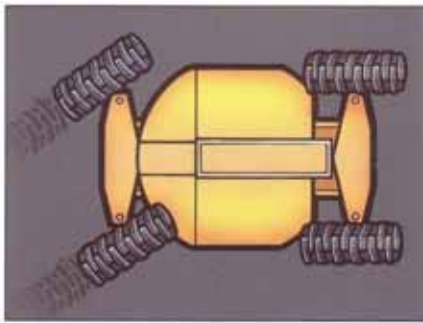
Riser is an all steel fabricated mechanical parallelogram with integrally pinned mast.

Double-acting lift cylinder with integral load holding valve provides boom elevation.

Ball bearing swing circle with 360° continuous rotation. Hydraulically driven Grove planetary worm gear gearbox. Plunger-type mechanical house lock.



*Patented Centerline Design boom prevents torsional forces and eliminates the twisting common with offset booms. The result is less boom "bounce" and twist and greater operator confidence.*



*Independent front and rear steering is standard on Grove Manlift AMZ56 and AMZ66 Series aerial work platforms. Controls may be used separately or in combination for unmatched maneuverability and fast set-up. Front or rear steering only (left) provides exceptional straight line control. Four-wheel coordinated steering (center) results in the tightest inside turning radius in this class of machines. And four-wheel crab steering (right) permits sideways maneuvering along walls or other obstructions.*

### POWER PLANT

**AMZ56/66:** Nissan A15 4-cylinder water cooled gasoline engine with 42.5 hp (31kw) @ 3,000 rpm.

**AMZ56XT/66XT:** Nissan H20 4-cylinder water cooled gasoline engine with 53 hp (39kw) @ 3,000 rpm.

50 amp alternator.

12-volt DC negative ground battery with 625 CCA @ 0° F (-17° C).

27 gal. (102 liter) steel fuel tank with sight gauge.

### HYDRAULIC SYSTEM

Pressure/flow compensated, variable displacement axial piston pump with 30 gpm (114 lpm) capacity. Maximum system operating pressure of 3,500 psi (241 bar).

Electrically activated consolidated valve bank provides simultaneous function capability.

24 gal. (91 liter) hydraulic reservoir with sight gauge and magnetic plug.

15 micron hydraulic pressure filter, 10 micron return filter and fill strainer in reservoir.

### CHASSIS

Two speed drive motors. Front wheel drive on the **AMZ56** and **AMZ66**; four-wheel drive on the **AMZ56XT** and **AMZ66XT**.

Counterbalance valve provides dynamic braking. Automatic spring applied/hydraulically released disc type parking brakes on the drive wheels.

Four wheel crab and coordinated steering.

Tilt alarm, all motion alarm.

Lifting/tie down lugs.

### Options

- 72 in. (1.8m) platform.
- 96 in. (2.4m) platform (requires 7 ft. 6 in. [2.29m] wide chassis).
- Bottom mount platform.
- Enclosed upper control box cover.
- 2000 watt 110V AC generator.
- Air power to platform.
- Platform worklights.
- Amber strobe lights.
- Travel lights (drive and back-up).
- Hostile Environment Protection Package.

### POWER PLANT OPTIONS

#### AMZ56 & AMZ66:

- Nissan A15 dual fuel engine.
- Deutz F31-1011 diesel engine.

#### AMZ56XT & AMZ66XT:

- Nissan H20 dual/fuel engine.
- Deutz F3L-912 diesel engine.

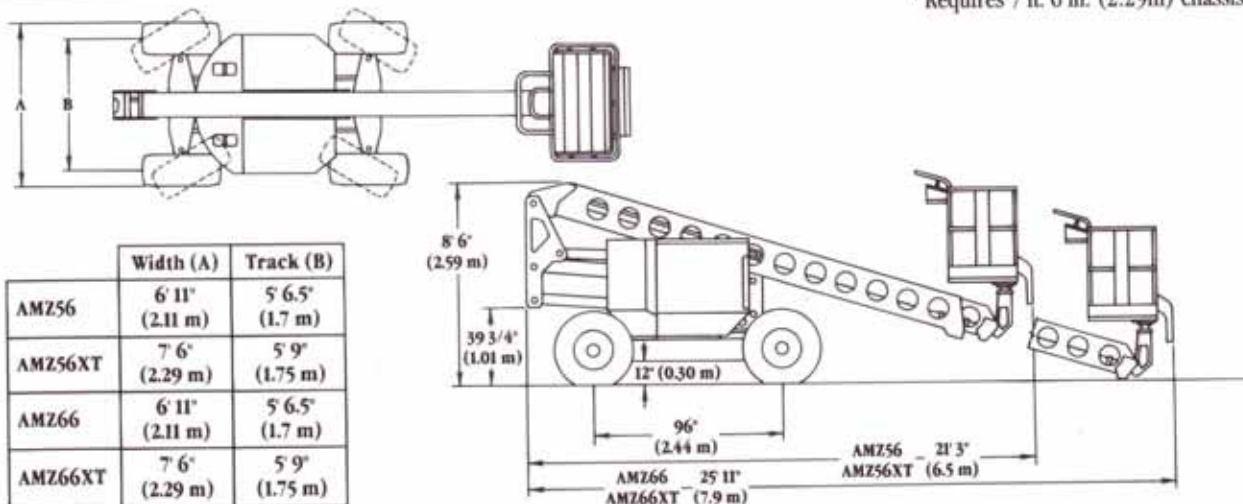
\* Patented Grove feature



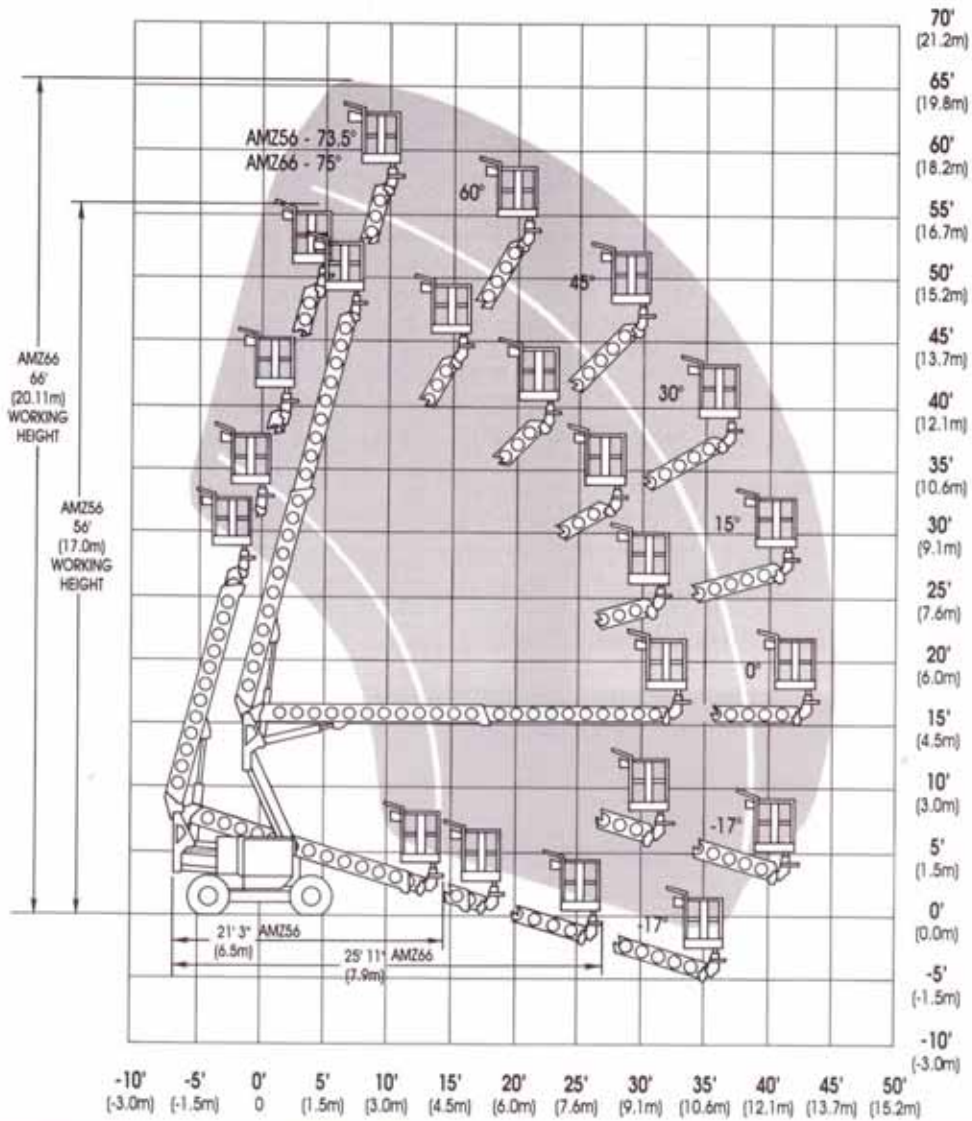
*With their more powerful engines and standard four-wheel drive, AMZ56XT and AMZ66XT models are virtually unstoppable in rough terrain conditions found on construction job sites.*

<b>Specifications</b>	<b>AMZ56</b>	<b>AMZ56XT</b>	<b>AMZ66</b>	<b>AMZ66XT</b>
<b>Platform</b>				
Working Height	56 ft. (17.1m)		66 ft. (20.1m)	
Platform Height	50 ft. (15.2m)		60 ft. (18.3m)	
Horizontal Reach	33 ft. (10.1m)		43 ft. (13.1m)	
Platform Capacity:				
Standard Chassis	800 lbs. (363kg)		500 lbs. (227kg)	600 lbs. (272kg)
Optional Chassis	800 lbs. (363kg)		600 lbs. (272kg)	500 lbs. (227kg)
Optional 96 in. (2.4m) Platform <sup>1</sup>	800 lbs. (363kg)		500 lbs. (227kg)	500 lbs. (227kg)
<b>Dimensions</b>				
Platform Size	36 x 60 in. (0.9 x 1.5m)		36 x 60 in. (0.9 x 1.5m)	
Overall Height (stowed)	8 ft. 6 in. (2.6m)		8 ft. 6 in. (2.6m)	
Overall Length	21 ft. 3 in. (6.5m)		25 ft. 11 in. (7.9m)	
Standard Chassis:				
Width (A)	6 ft. 11 in. (2.11m)	7 ft. 6 in. (2.29m)	6 ft. 11 in. (2.11m)	7 ft. 6 in. (2.29m)
Track (B)	5 ft. 6.5 in. (1.7m)	5 ft. 9 in. (1.75m)	5 ft. 6.5 in. (1.7m)	5 ft. 9 in. (1.75m)
Outside Turning Radius	13 ft. (4.0m)	13 ft. 5 in. (4.1m)	13 ft. (4.0m)	13 ft. 5 in. (4.1m)
Inside Turning Radius	6 ft. 6 in. (1.98m)	6 ft. 1 in. (1.85m)	6 ft. 6 in. (1.98m)	6 ft. 1 in. (1.85m)
Optional Chassis:				
Width (A)	7 ft. 6 in. (1.9m)	6 ft. 11 in. (2.2m)	7 ft. 6 in. (1.9m)	6 ft. 11 in. (2.2m)
Track (B)	73.5 in. (1.87m)	66.5 in. (1.7m)	73.5 in. (1.87m)	66.5 in. (1.7m)
Outside Turning Radius	13 ft. 5 in. (4.1m)	13 ft. (4.0m)	13 ft. 5 in. (4.1m)	13 ft. (3.96m)
Inside Turning Radius	6 ft. 6 in. (1.98m)	6 ft. 1 in. (1.85m)	6 ft. 6 in. (1.98m)	6 ft. 1 in. (1.85m)
Tailswing:				
Riser up	zero		zero	
Riser down	3 ft. 5 in. (1.04m)	3 ft. 1 in. (0.94m)	3 ft. 5 in. (1.04m)	3 ft. 1 in. (0.94m)
Ground clearance	12 in. (0.3m)		12 in. (0.3m)	
<b>Performance</b>				
Maximum Drive Speed	4.0 mph (6.4 km/h)	3.0 mph (4.8 km/h)	4.0 mph (6.5 km/h)	3.0 mph (4.8 km/h)
Gradeability (Theoretical)	22%	45%	22%	45%
Tire Size	15 x 19.5-12 PR pneumatic		15 x 19.5-12PR pneumatic	
Swing Speed	0.5 rpm		0.5 rpm	
<b>Power Source</b>				
Engine	Nissan A15 Gas	Nissan H20 Gas	Nissan A15 Gas	Nissan H20 Gas
Engine Horsepower	42.5 hp (31 kw)	53 hp (39.5 kw)	42.5 hp (31 kw)	53 hp (39.5 kw)
Fuel Tank Capacity	25 gallons (95 liters)		25 gallons (95 liters)	
<b>Hydraulics</b>				
Reservoir Capacity	24 gallons (91 liters)		24 gallons (91 liters)	
Hydraulic Pump Type	Axial Piston		Axial Piston	
<b>Shipping Information</b>				
Weight (approximate)	22,800 lbs. (10340kg)	23,400 lbs. (10614kg)	23,000 lbs. (10433kg)	23,600 lbs. (10705kg)
Shipping Cube	1,246 cu. ft. (35.3m <sup>3</sup> )	1,355 cu. ft. (38.4m <sup>3</sup> )	1,565 cu. ft. (44.3m <sup>3</sup> )	1,623 cu. ft. (46.0m <sup>3</sup> )

<sup>1</sup> Requires 7 ft. 6 in. (2.29m) chassis



## Range Diagram



*Optional bottom-mount platform with hydraulic rotator provides an additional 3 ft. 7 in. (1.09m) of horizontal reach with no need for extra counterweight.*



*Grove's exclusive trapezoidal boom design provides outstanding rigidity. Side panels feature weight-reducing cutouts with Vierendeel embossing to retain maximum strength.*

# The Grove Manlift . . .

# P RODUCT ROTECTION PLAN

**12** MONTHS  
PARTS  
WARRANTY

**12** MONTHS  
LABOR  
WARRANTY

**84** MONTHS  
STRUCTURAL  
WARRANTY

Now there's another reason to choose Grove Manlift aerial work platforms! It's the Grove Manlift Product Protection Plan! Under this plan, all new Grove Manlift aerial work platforms are warranted to be free from defects in material and workmanship for *one full year*. All structural components, including booms, riser, masts, turntables, frames and scissors arms, are covered for *six additional years!*\* Only Grove Manlift has the confidence -- and the equipment -- to make an offer this good.

\*See manufacturer's warranty for any limitations or restrictions which may apply.

**The strongest warranty in the industry . . . for the  
strongest line in the industry!**



Grove Worldwide - World Headquarters  
1565 Buchanan Trail East  
Shady Grove, Pennsylvania 17256  
Phone: (717) 597-8121 Fax: (717) 597-4062

Grove North America  
P. O. Box 21, Shady Grove, Pennsylvania 17256  
Western Hemisphere, Asia/Pacific  
Phone: (717) 597-8121 Fax: (717) 597-4062

Grove Europe®  
Sunderland, England SR4 6TT  
Europe, Africa, Middle East, Near East  
Phone: (0191) 565-6281 Fax: (0191) 564-0442

\* Grove Europe Limited, Registered in England, Number 1845128, Registered office, Crown Works, Pallion, Sunderland, Tyne & Wear, England SR4 6TT.

Constant improvement and engineering progress make it necessary that we reserve the right to make specification, equipment, and price changes without notice. Illustrations shown may include optional equipment and accessories and may not include all standard equipment. This work platform meets the requirements, to the extent applicable, of US-DOL OSHA regulations and ANSI A92 standards in effect on the date of manufacture.

Distributed By:

Form No. SBAMZ56/56XT & AMZ66/66XT Part No. 3-870 1097-5M Printed in U.S.A.