

25
Tonne

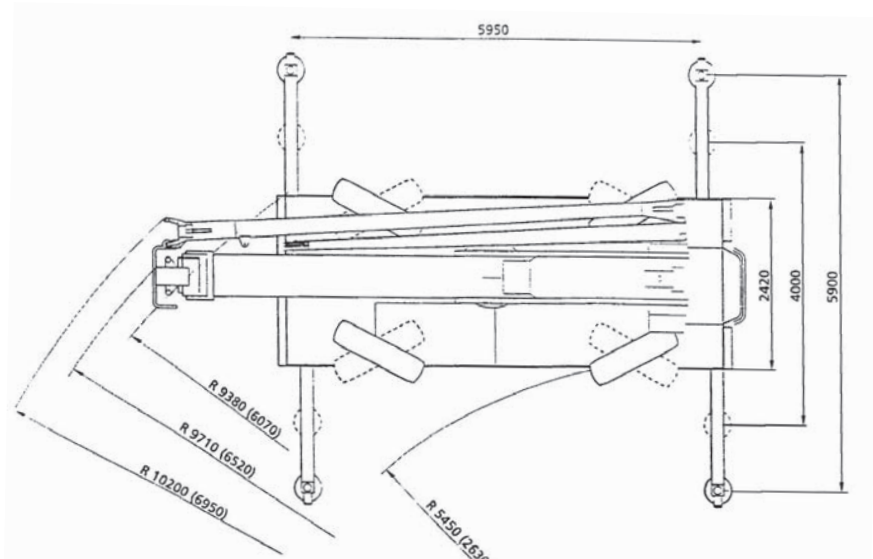
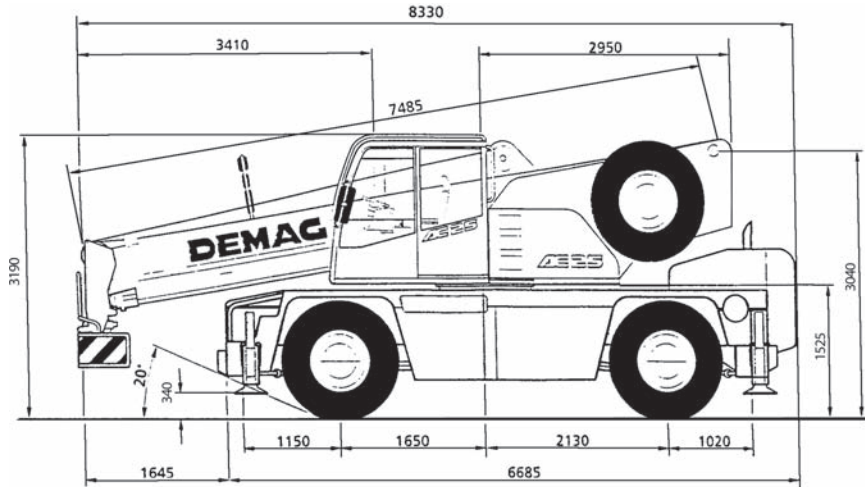
City Crane

AINSCOUGH CRANE HIRE LIMITED

Demag AC25

City & Low
Headroom Cranes

Dimensions



() with independent rear axle steering.

Hookblock

Capacity (t)	25.3	10	3.2
Weight (t)	0.22	0.1	0.08

The charts that have been included have been reproduced from manufacturer specifications, and while every effort has been made to ensure their accuracy, we do not accept any responsibility for errors or omissions. We also need to draw your attention to the guidance notes on page 47 to assist you with your crane selection.

CL10

Demag AC25

City Crane

25
Tonne

City & Low
Headroom Cranes

Lifting Capacities Main Boom

Radius (m)	Main Boom (m)				
	7.5	11.9	16.3	20.7	25
3	25*/21.5	15	15		
3.5	19.7	15	15	12	
4	17.9	15	14.8	12	
4.5	16.2	15	14	12	
5		14.7	13.3	12	9
6		12	12.1	11.2	8.3
7		9.8	9.8	9.2	7.6
8		7.7	7.8	7.6	7
9			6.3	6.4	6.1
10			5.3	5.4	5.3
11			4.4	4.5	4.5
12			3.8	3.9	3.9
13			3.3	3.4	3.4
14				2.9	3
15				2.6	2.6
16				2.3	2.3
17				2	2
18					1.8
19					1.6
20					1.4
21					1.2
22					1
24					



The charts that have been included have been reproduced from manufacturer specifications, and while every effort has been made to ensure their accuracy, we do not accept any responsibility for errors or omissions. We also need to draw your attention to the guidance notes on page 47 to assist you with your crane selection.

CL11

25
Tonne

City Crane

AINSCOUGH CRANE HIRE LIMITED

Demag AC25

City & Low
Headroom Cranes

Lifting Capacities Main Boom Extension

Radius (m)	20.7m Main Boom			
	Extension 7.1m		Extension 13m	
	0°	30°	0°	30°
5	5.6			
6	5.6			
7	5.3		2.2	
8	5		2.2	
9	4.7	3.7	2.2	
10	4.4	3.6	2.1	
11	4.2	3.5	2	
12	4	3.4	1.9	
13	6.5	3.3	1.9	1.7
14	6.1	3.2	1.9	1.6
15	2.7	3	1.8	1.6
16	2.4	2.6	1.7	1.5
17	2.2	2.3	1.6	1.5
18	1.9	2.1	1.6	1.4
19	1.7	1.8	1.5	1.4
20	1.5	1.5	1.4	1.4
21	1.3	1.3	1.4	1.3
22	1.1		1.3	1.3
23	0.9		1.1	1.3
24	0.8		1	1.2
25	0.7		0.9	1
26			0.8	0.9
27			0.7	0.7
28			0.6	
29			0.5	

Radius (m)	25m Main Boom			
	Extension 7.1m		Extension 13m	
	0°	30°	0°	30°
7	4.5			
8	4.4		2	
9	4.2		2	
10	4	3.4	2	
11	3.9	3.3	2	
12	3.7	3.2	1.9	
13	3.5	3.1	1.9	
14	3	3	1.8	1.5
15	2.7	2.9	1.8	1.5
16	2.4	2.6	1.7	1.5
17	2.1	2.3	1.7	1.4
18	1.8	2.3	1.6	1.4
19	1.6	1.8	1.6	1.4
20	1.4	1.6	1.5	1.3
21	1.3	1.4	1.3	1.3
22	1.1	1.2	1.2	1.3
23	0.9	1	1	1.3
24	0.8	0.9	0.9	1.2
25	0.7	0.7	0.8	1
26	0.6		0.7	0.9
27	0.5		0.6	0.8
28			0.5	0.7
29				0.6
30				

The charts that have been included have been reproduced from manufacturer specifications, and while every effort has been made to ensure their accuracy, we do not accept any responsibility for errors or omissions. We also need to draw your attention to the guidance notes on page 47 to assist you with your crane selection.

CL12