

GROVE®

RT530E

product guide

features

- 30 ton (30 mt) capacity
- 29-95 ft. (8.8-29 m)
4-section full power boom
- 26-45 ft. (7.9-13.7 m)
telescopic swingaway extension
- Max main boom tip height of 102.5 ft. (31.2 m)
- "E" Series cab
- Max overall tip height 146 ft. (44.5 m)
- One double-acting telescoping cylinder
- 3 position outriggers, max spread 20 ft. (6.1 m)
- Cummins QSB 5.9L diesel, 6 cyl., turbocharged engine



contents

Features

2

Specifications

3

Dimensions

5

Working Range

6

Load Charts

7

Load Handling

11

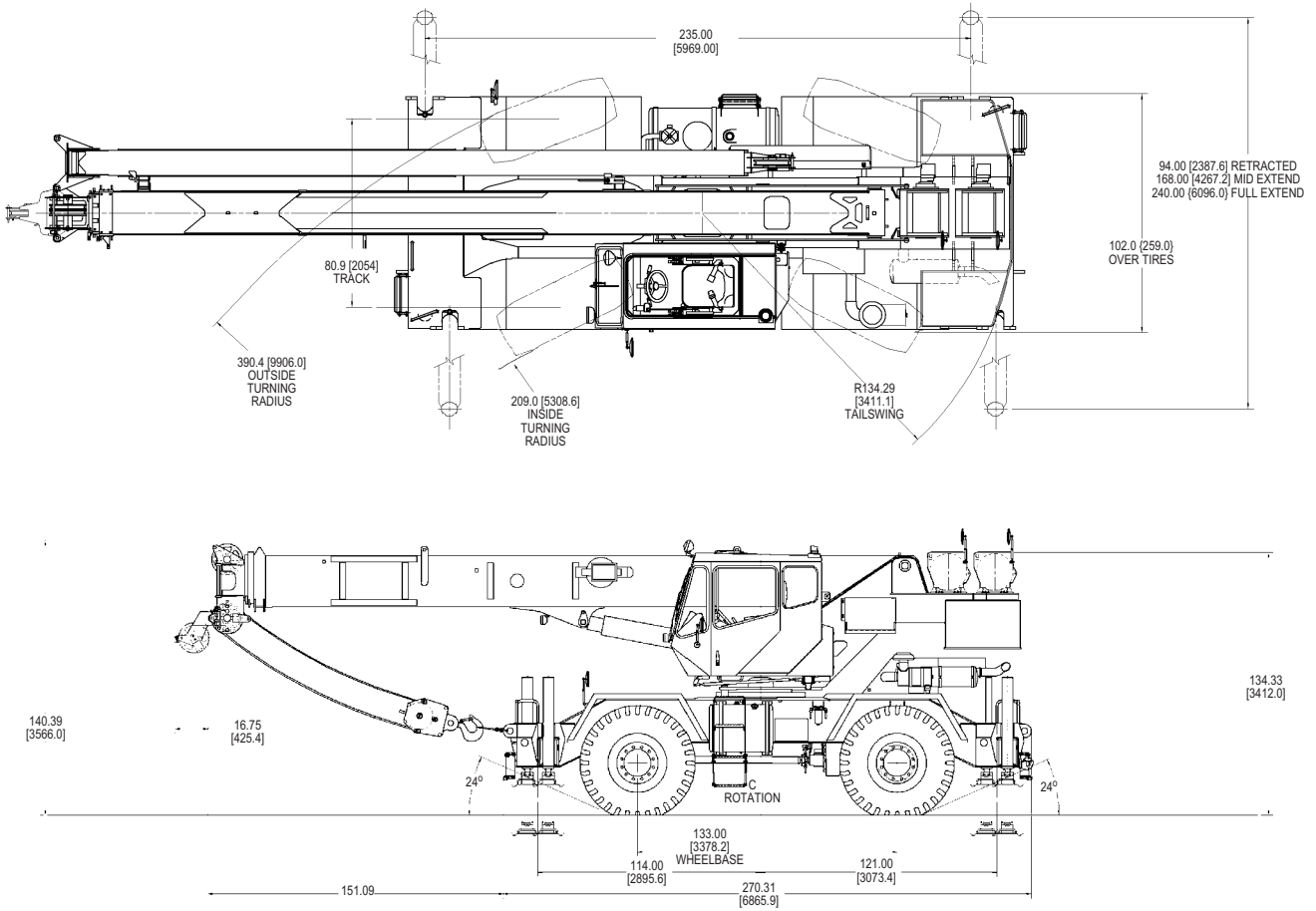
Rough Terrain Hydraulic Crane

dimensions

5

NOTES:

1. ALL DIMENSIONS ARE FOR REFERENCE ONLY.
 2. BOOM ELEVATION IS -3° TO +76°.
- ▷ DIMS. SHOWN BASED ON 20.5 X 25 TIRES.
ADD 1.36 [34.5] FOR 16.0 X 25 TIRES.



NOTE: [] Reference dimensions in mm

Weights

	GVW		Front		Rear	
	lb.	kg	lb.	kg	lb.	kg
RT530E Basic Machine	54,483	24,713	25,090	11,381	29,393	13,333
ADD: 26 - 45 ft Tele swingaway	1,790	812	2,853	1,294	-1,063	-482
ADD: 26 ft swingaway	1,300	590	2,111	958	-811	-368
ADD: Auxiliary Hoist cable	339	154	-127	-58	466	211
ADD: Auxiliary boom nose	142	64	283	128	-141	-64
ADD: 30 ton (28mt) 3-sheave hook-block (stowed)	580	263	611	277	-31	-14
ADD: 7.5 ton (6.8mt) headache ball (stowed)	369	167	388	176	-19	-9
Remove: counterweight	-8,400	-3,810	2,668	1,210	-11,068	-5,020

RT530E