

Grove RT650E

Product Guide



45 t



32 m



8,8 - 15,5 m



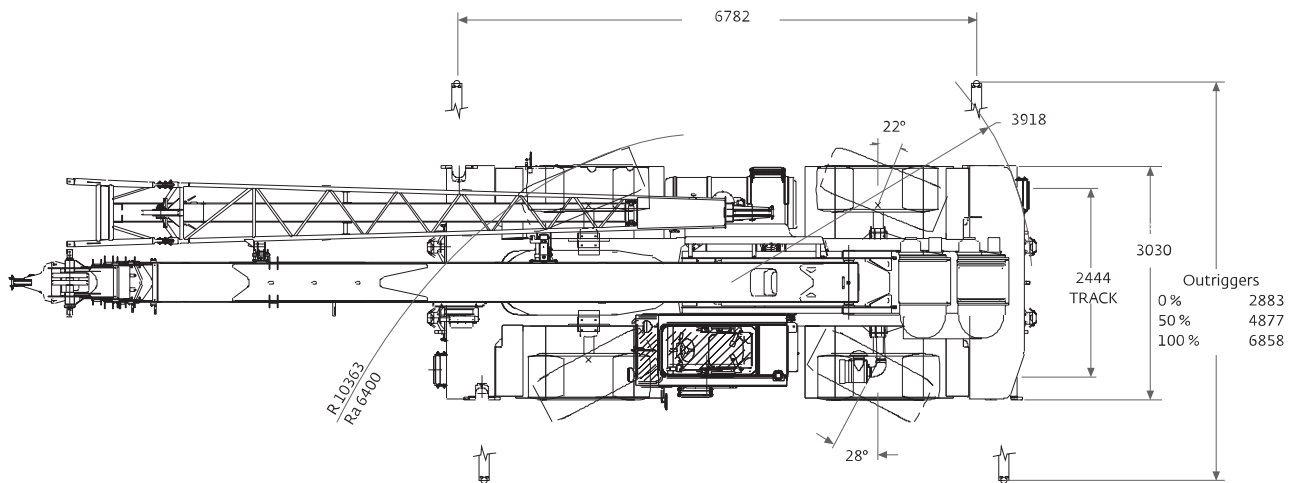
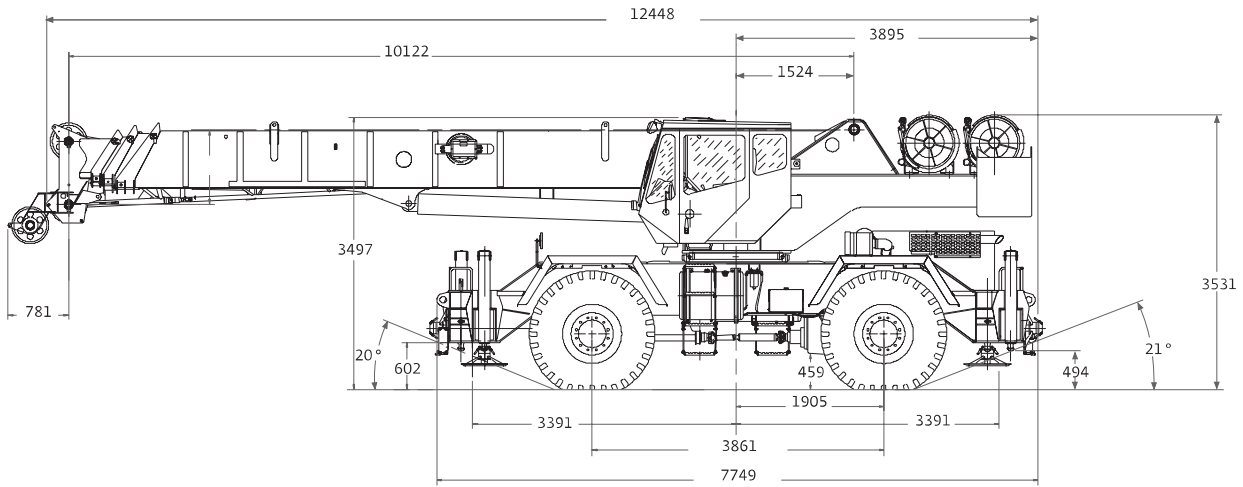
49 m



**Rough Terrain Crane • Geländekran
Grue Tout-Terrain • Grúa Todo Terreno
Autogru Fuoristrada • Grua RT**

Кран для использования на пересеченной местности

Dimensions • Abmessungen • Encombrement • Dimensiones
 • Dimensioni • Dimensões • Размеры



Note: Reference dimensions in mm • Hinweis: Bezugsmaße in mm • Remarque : cotes de référence en mm •
 Nota: Dimensiones de referencia en mm • Nota: Dimensioni di riferimento in mm • Nota: Dimensões de referência em mm •
 Примечание: Справочные размеры (в мм)

Load charts • Traglasten • Capacités de levage • Capacidades Capacità • Diagramas de carga • Таблицы грузоподъемности

Working range • Arbeitsbereiche • Diagramme de levage • Gama de trabajo • Area di lavoro
Intervalo de funcionamento • Грузовысотные характеристики



10,1 - 32,0 m



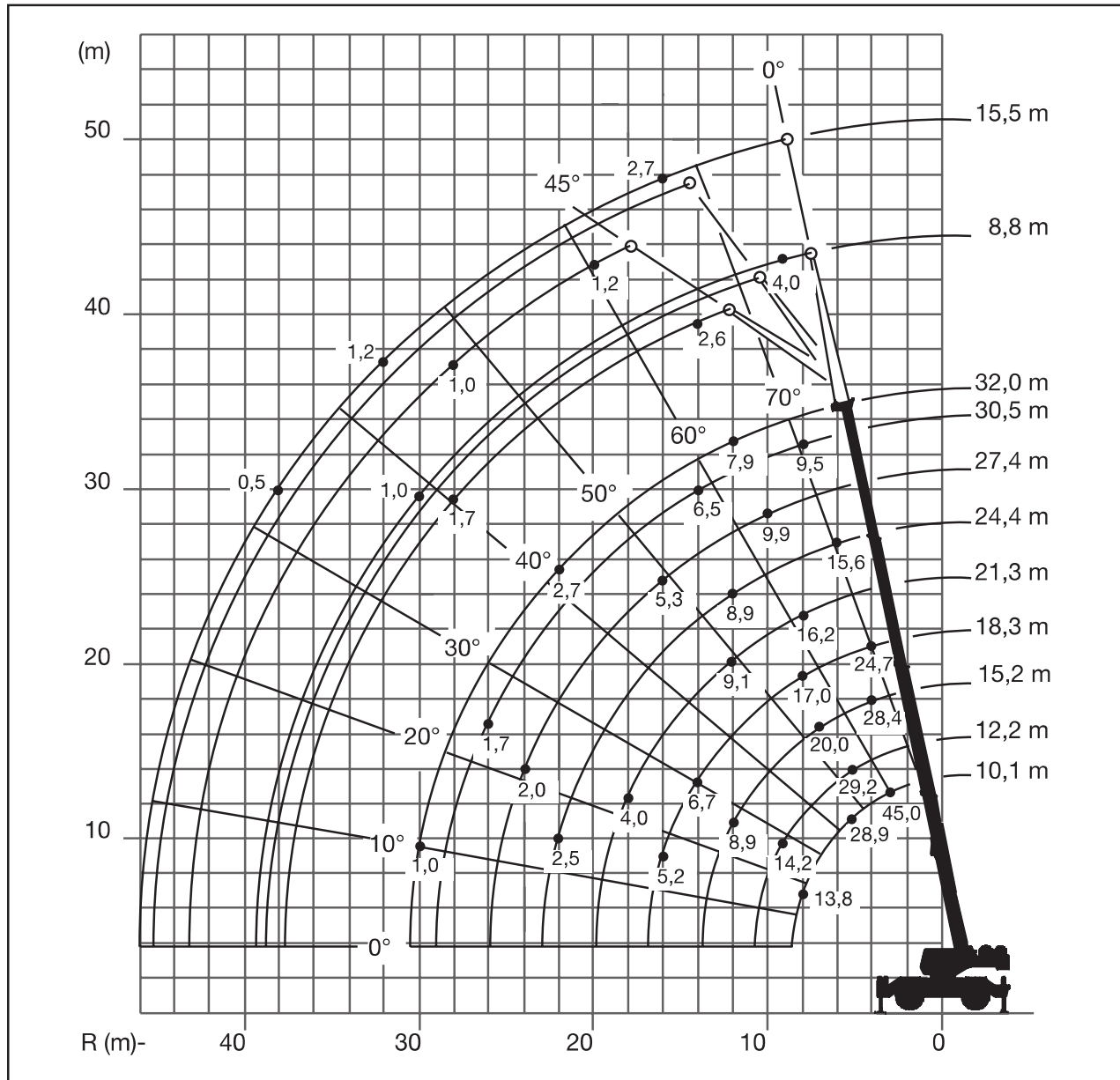
100%



360°



5,5 t



	H (mm) (t)
	2667

Load charts • Traglasten • Capacités de levage • Capacidades Capacità • Diagramas de carga • Таблицы грузоподъемности

Telescopic boom • Teleskopausleger • Flèche principale • Pluma telescópica • Braccio telescopico
Lança telescópica • Телескопическая стрела



10,1 - 32,0 m



100 %



360°



5,5 t



DIN/ISO

m	10,1	12,2	15,2	18,3	21,3	24,4	27,4	30,5	32,0
3,0	45,000	36,525	30,500	-	-	-	-	-	-
3,5	41,000	36,050	29,475	25,425	-	-	-	-	-
4,0	36,425	34,250	28,375	24,700	-	-	-	-	-
4,5	31,950	31,875	27,325	23,625	20,500	-	-	-	-
5,0	28,950	29,175	26,100	22,550	19,650	-	-	-	-
6,0	23,425	23,625	23,550	20,375	17,675	15,625	14,225	-	-
7,0	19,600	19,850	20,050	18,875	17,075	14,375	13,125	9,525	8,320
8,0	13,475	16,700	16,925	17,050	16,200	13,125	12,000	9,525	8,320
9,0	-	14,250	14,500	14,575	14,025	12,075	10,900	9,525	8,320
10,0	-	9,285	12,475	12,450	12,025	10,775	9,940	9,050	8,320
12,0	-	-	8,905	9,055	9,110	8,900	8,615	7,695	7,905
14,0	-	-	-	6,765	6,870	6,860	6,855	6,505	6,595
16,0	-	-	-	5,155	5,240	5,260	5,290	5,320	5,340
18,0	-	-	-	-	4,040	4,095	4,145	4,195	4,225
20,0	-	-	-	-	-	3,210	3,275	3,345	3,380
22,0	-	-	-	-	-	2,490	2,595	2,675	2,715
24,0	-	-	-	-	-	-	2,030	2,135	2,180
26,0	-	-	-	-	-	-	-	1,685	1,740
28,0	-	-	-	-	-	-	-	1,295	1,360
30,0	-	-	-	-	-	-	-	-	1,035

A6-B29-10.090



85 %

m	10,1	12,2	15,2	18,3	21,3	24,4	27,4	30,5	32,0
3,0	45,000	36,525	30,500	-	-	-	-	-	-
3,5	41,000	36,050	29,475	25,425	-	-	-	-	-
4,0	36,425	34,250	28,375	24,700	-	-	-	-	-
4,5	31,950	31,875	27,325	23,625	20,500	-	-	-	-
5,0	28,950	29,175	26,100	22,550	19,650	-	-	-	-
6,0	23,425	23,625	23,550	20,375	17,675	15,625	14,225	-	-
7,0	19,600	19,850	20,050	18,875	17,075	14,375	13,125	9,525	8,320
8,0	13,475	16,700	16,925	17,050	16,200	13,125	12,000	9,525	8,320
9,0	-	14,250	14,500	14,625	14,600	12,100	11,050	9,525	8,320
10,0	-	9,285	12,675	12,800	12,925	11,250	10,250	9,050	8,320
12,0	-	-	9,750	9,915	10,075	9,815	8,915	7,695	7,905
14,0	-	-	-	7,465	7,580	7,565	7,560	6,505	7,030
16,0	-	-	-	5,760	5,845	5,860	5,890	5,645	5,945
18,0	-	-	-	-	4,575	4,625	4,675	4,730	4,760
20,0	-	-	-	-	-	3,685	3,750	3,825	3,860
22,0	-	-	-	-	-	2,920	3,030	3,110	3,155
24,0	-	-	-	-	-	-	2,430	2,540	2,585
26,0	-	-	-	-	-	-	-	2,060	2,120
28,0	-	-	-	-	-	-	-	1,650	1,715
30,0	-	-	-	-	-	-	-	-	1,370

A6-B29-10.042

Load charts • Traglasten • Capacités de levage • Capacidades Capacità • Diagramas de carga • Таблицы грузоподъемности

Swingaway • Klappspitze • Extension treillis • Plumín • Falcone • Swingaway • Складной удлинитель стрелы



10,1 - 32,0 m



8,8 - 15,5 m



100 %



360°



5,5 t



DIN / ISO

in m	8,8 m			15,5 m		
	0°	25°	45°	0°	25°	45°
9,0	4,080	-	-	-	-	-
10,0	4,080	-	-	-	-	-
12,0	4,080	3,585	-	2,720	-	-
14,0	3,835	3,305	2,565	2,720	-	-
16,0	3,445	3,015	2,515	2,685	-	-
18,0	3,130	2,770	2,420	2,445	1,790	-
20,0	2,825	2,535	2,335	2,245	1,670	1,240
22,0	2,610	2,365	2,165	2,070	1,570	1,190
24,0	2,215	2,200	2,010	1,925	1,475	1,150
26,0	1,760	2,015	1,855	1,775	1,395	1,115
28,0	1,375	1,610	1,695	1,650	1,325	1,085
30,0	1,055	1,260	-	1,490	1,260	1,060
32,0	0,775	0,950	-	1,200	1,205	1,045
34,0	0,535	0,680	-	0,950	1,155	1,025
36,0	-	-	-	0,730	0,990	-
38,0	-	-	-	0,535	0,755	-
40,0	-	-	-	-	0,515	-

A6-829-101091A



85 %

m	8,8 m			15,5 m		
	0°	25°	45°	0°	25°	45°
9,0	4,080	-	-	-	-	-
10,0	4,080	-	-	-	-	-
12,0	4,080	3,625	-	2,720	-	-
14,0	4,060	3,400	2,565	2,720	-	-
16,0	3,810	3,175	2,515	2,720	-	-
18,0	3,405	2,975	2,420	2,720	1,790	-
20,0	3,040	2,800	2,335	2,700	1,670	1,240
22,0	2,720	2,650	2,165	2,470	1,570	1,190
24,0	2,435	2,520	2,010	2,245	1,475	1,150
26,0	2,155	2,395	1,855	2,055	1,395	1,115
28,0	1,750	1,990	1,695	1,890	1,325	1,085
30,0	1,405	1,605	-	1,745	1,260	1,060
32,0	1,110	1,275	-	1,525	1,205	1,045
34,0	0,850	0,990	-	1,260	1,155	1,025
36,0	0,625	-	-	1,025	1,115	-
38,0	-	-	-	0,820	1,035	-
40,0	-	-	-	0,635	0,780	-

A6-829-101029