



**GROVE<sup>®</sup>**  
**MANLIFT<sup>®</sup>**

A GROVE WORLDWIDE COMPANY

# SM3269 SM3269XT

Self-Propelled Aerial Work Platforms



If your application calls for a scissors lift with the versatility to handle tough construction jobs and industrial applications the all-new **SM3269** and 4x4 **SM3269XT** are the machines for you!

The SM3269 Series rugged design, outstanding lift capacities and superior performance are tailor made for construction applications while the standard dual fuel engine and compact dimensions make it equally at home in industrial applications.

### Key Features!

- 32 ft. (9.8m) working height
- 13 ft. (3.9m) deck length including standard 3 ft. (0.91m) extension
- 1250 lb. (567kg) platform capacity including 300 lb. (136kg) on the deck extension
- 2-wheel or 4x4 XT models available
- Optional oscillating axle
- Joystick controller with control-enable trigger

### STANDARD EQUIPMENT



*Large deck area provides 9,984 sq. in. of working area.*

### Platform

64 in. x 120 in. (1.63 x 3.05m) steel platform deck with non-skid deck covering.

3 ft. (0.91m) roll-out deck extension with foot activated locking mechanism.

110V AC wiring to platform with ground fault interrupter plug on frame and two outlets on platform deck.

### Controls



*Color-coded symbols provide for easy identification of control function and direction.*

Weather resistant upper control console features joystick controller for drive and lift with integral thumb rocker for steer and control enable trigger. Drive function is proportional. Lift and steer functions are non-proportional. Toggle switches for drive/lift select and high/low drive speed.

Proportional control of the drive function eliminates jolting starts and stops. The control box is removable and with its umbilical cord permits operation from either side of the platform.....or off-platform, if necessary. The control enable trigger meets the latest proposed ANSI requirements and is designed to prevent inadvertent functioning of all controls.

Color code symbols easily identify control functions and the white background is easily legible in low light areas.

Lower controls offer rotary switch start and lockable emergency stop/master battery disconnect button. Toggle switches for lower control select and lift up and down.

Manual emergency lowering valve.

Motion alarm, tilt alarm, and voltmeter.

## Scissor Arms

Heavy-duty rectangular steel scissor arms with low maintenance greaseless bushings and nylon end caps.

Scissor arm maintenance stand.

## Hydraulic System

Load sensing hydraulics with variable displacement axial piston pump. A piggy-back gear pump provides priority flow, for steering function.

14 gal. (53 L) translucent polyethylene hydraulic tank.

20 micron nominal hydraulic pressure filter and a 10 micron absolute in-tank return filter.

## Power Plant

20 hp (12.4kw) Kubota WG750 water-cooled dual fuel engine.

13 gal. (49.2 L) translucent polyethylene fuel tank.

Strong lightweight fiberglass engine cover provides protection to engine components yet is easily removable for maintenance checks.

## Chassis



*Standard engine cover provides protection and is easily removed for maintenance*

Heavy-duty all-steel frame provides stability and durability.

Rear wheel hydraulic drive with counterbalance valve.

Brakes are automatically spring applied and hydraulically released.

Front wheel steering provides a tight 89 in. (2.3m) turning radius.



*Rugged fiberglass covers prevent dents, color fading and rust.*

## OPTIONS

- Oscillating rear axle
- 20 hp Kubota D722 water-cooled diesel engine.
- Work Lights
- Additional LP gas tank bracket.
- Strobe Light
- Full swing gate entrance platform.
- 2000W, 110V AC self-contained power



*Oscillating rear axle is optional.*



*4 wheel drive XT model provides outstanding rough terrain drive capability.*

## Specifications

## SM3269/SM3269XT

### Platform:

Working Height 32 ft. (9.8 m)

Platform Height 26 ft. (8.0 m)

Platform Capacity 1250 lbs. (567 kg)

### Dimensions:

Platform Size 64 in. x 120 in. (1.62 x 3.05 m)

Roll Out Extension Deck 36 in. (0.9 m)

Overall Height (rails removed) 52 in. (1.3 m)

Overall Width 69 in. (1.8 m)

Overall Length 126 in. (3.2 m)

Wheelbase 85 in. (2.2 m)

Inside Turning Radius 89 in. (2.3 m)

Ground Clearance 9.3 in. (0.2 m)

### Performance:

Maximum Drive Speed

SM3269 3.5 mph (5.6 kp/h)

SM3269XT 3.0 mph (4.8 km/h)

Gradeability (Theoretical)\*

SM3269 30%

SM3269XT 40%

Lift /Lower Speed 25 sec. / 25 sec.

Tire Size 27 x 8.50 -15

Tire Fill Air

### Power Source:

Engine Make / Model /Type Kubota WG750 dual fuel

Engine Horse Power 20 hp (12.4 kw)

Fuel Tank Capacity 13 gal. (49.2 L)

### Hydraulics:

Reservoir Capacity 14 gal. (53.0 liters)

Main Pump Axial Piston

Sreering Pump Gear

### Shipping Information:

Weight (Basic machine)

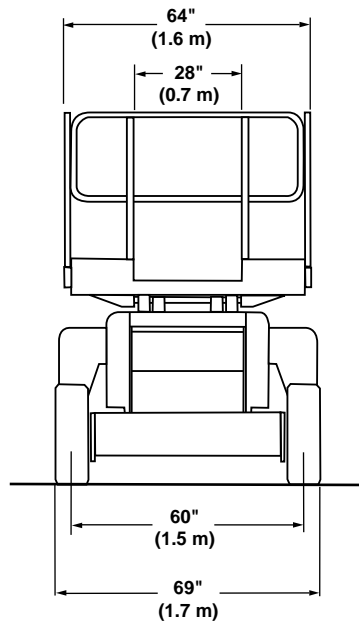
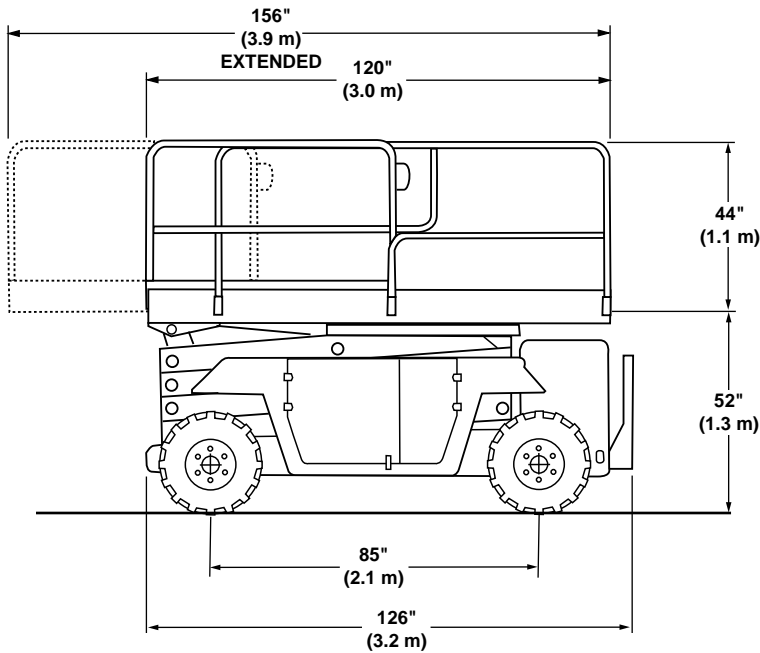
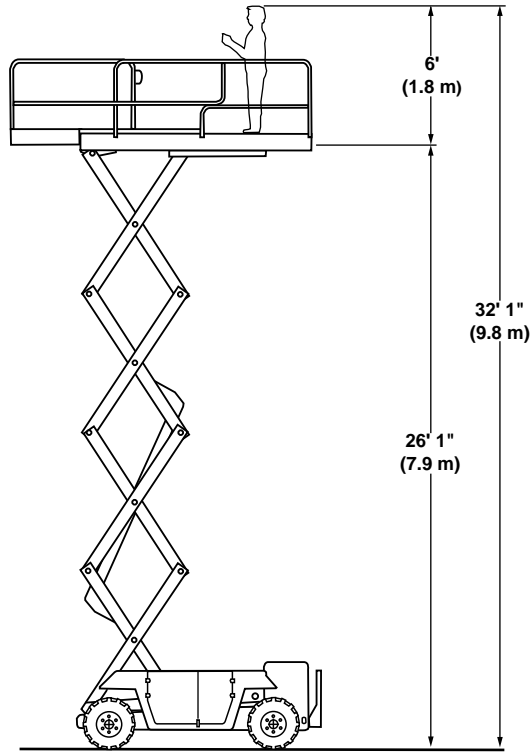
SM3269 6300 lbs. (2857 kg)

SM3269XT 6400 lbs. (2903 kg)

Shipping Cube 483 cu. ft. (13.68 cu.m.)

\* Published machine gradeability is theoretical. Machine to be in a stowed driving position. Always operate machine on a firm, level surface when elevated.

# SM3269/SM3269XT Dimensions



# The Grove Manlift . . .

# P RODUCT ROTECTION LAN

**12** MONTHS  
PARTS  
WARRANTY

**12** MONTHS  
LABOR  
WARRANTY

**84** MONTHS  
STRUCTURAL  
WARRANTY

Now there's another reason to choose Grove Manlift aerial work platforms! It's the Grove Manlift Product Protection Plan! Under this plan, all new Grove Manlift aerial work platforms are warranted to be free from defects in material and workmanship for *one full year*. All structural components, including booms, riser, masts, turntables, frames and scissors arms, are covered for *six additional years!*\* Only Grove Manlift has the confidence -- and the equipment -- to make an offer this good.

\*See manufacturer's warranty for any limitations or restrictions which may apply.

**The strongest warranty in the industry . . . for the  
strongest line in the industry!**



Grove Worldwide - World Headquarters  
1565 Buchanan Trail East  
Shady Grove, Pennsylvania 17256  
Phone: (717) 597-8121 Fax: (717) 597-4062

Grove North America  
P. O. Box 21, Shady Grove, Pennsylvania 17256  
Western Hemisphere, Asia/Pacific  
Phone: (717) 597-8121 Fax: (717) 597-4062

Grove Europe\*  
Sunderland, England SR4 6TT  
Europe, Africa, Middle East, Near East  
Phone: (Int + 44) 191 565-6281 Fax: (Int + 44) 191 565-3736

\* Grove Europe Limited, Registered in England, Number 1845128, Registered office, Crown Works, Pallion, Sunderland, Tyne & Wear, England SR4 6TT.

Grove Australia PTY LTD\*\*  
9 Altair Place, Penrith, NSW, 2750 Australia  
Phone: (Int + 61) 47-229222 Fax: (Int + 61) 47-229202

\*\* Grove Australia PTY LTD, Registered in Australia, A.C.N. 076 700 082

Delta Manlift  
Z. I. de Fauillet  
B. P. 20  
47400 Tonneins, France  
Phone: (Int + 33) {5} 384-8511 Fax: (Int + 33) {5} 379-0687

Constant improvement and engineering progress make it necessary that we reserve the right to make specification, equipment, and price changes without notice. Illustrations shown may include optional equipment and accessories and may not include all standard equipment. This work platform meets the requirements, to the extent applicable, of US-DOL OSHA regulations and ANSI A92 standards in effect on the date of manufacture.

Distributed By: